

THE POWER OF THE LIGHTWEIGHT



TIPPER GROUP

ALUMINIUM TYPE 9A TIPPER

 **CHIEFTRAILER**

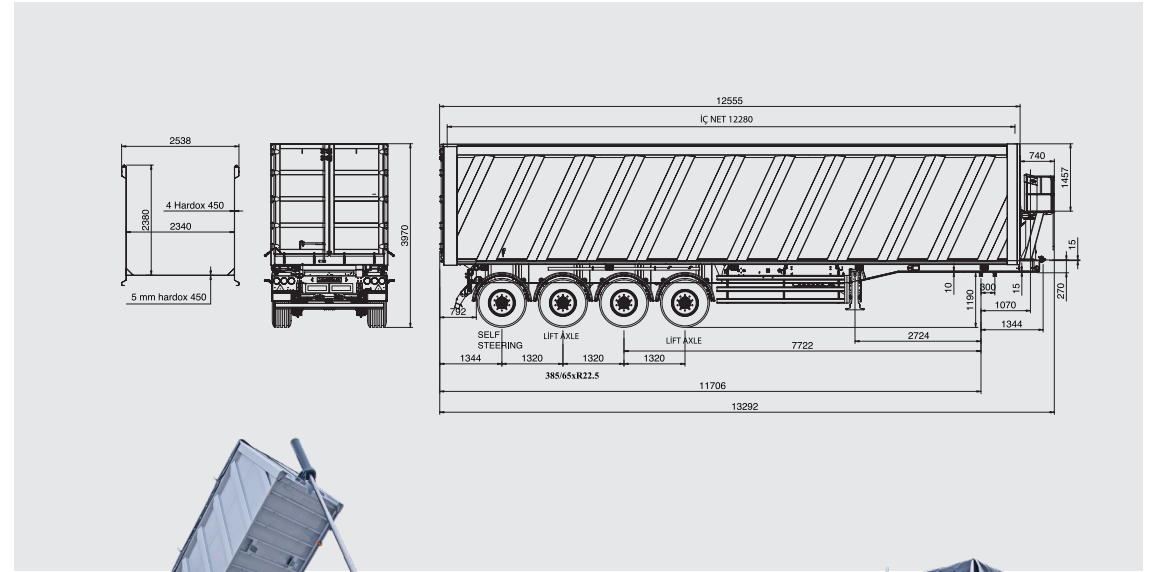
TECHNICAL SPECIFICATION

ALUMINIUM TYPE 9A TIPPER



**TIPPER
GROUP**

TYPE	4 FE	OPTIONAL
VOLUME (M3)	37	
WEIGHT (KG) +-1%	9200	
MATERIAL	Aluminum	
CHASSIS	S700 high strength, I profile section	
FLOORING	6mm aluminum	
BACK COVER	40 mm aluminum extrusion profile	
FRONT WALLS	5mm Aluminum	
BASE PEHD	UHPE 1000 Thickness 15 mm (PROTECTIVE PVC MATERIAL)	
SIDE PEHD	UHPE 1000 Thickness 10 mm (PROTECTIVE PVC MATERIAL)	
LOAD CAPACITY (TON)	54 Tons (Payload 44,80 Tons)	
KING PIN (INC)	2inc (2 positions)	
MAX. TIP ANGLE(DEGREE)	48	
5. WHEEL (MM)	1200	
LANDING GEAR	2 speed 24000 kg carrying capacity	
AXLE QUANTITY	4	
AXLE TYPE	REİS 9 TONS	
BRAKE TYPE	DRUM	
AXLE LIFTING	1st and 4th Axle Load Dependent Automatic	1st and 3rd Axle Load Dependent Automatic
AXLE ROTARY FEATURE (QUANTITY)	1st and 4th Axle	4. Axle
TOOLBOX	Plastic 80 cm	
ELECTRICAL SYSTEM	Ermarx	
BRAKE SYSTEM	KNORR 4S/3M	
CANVAS	Avaliable	
TYRE	Bridgestone 385\65R22,5	
RIM	Steel 11.75x22.5	
LIFT	Hydromas,Hyva or Penta	



SERİN OTOMOTİV A.Ş.

Büyükkayalık Mah. Konya OSB Evrenköy Cad. 3 Nolu Sokak No:12 42100 Selçuklu / Konya
T| +90.332 239 06 10 | F| +90.332 239 06 13 | satis@reistreyler.com.tr



/reistreyler **CHIEFTRAILER.COM**

Serın Automotive Inc. reserves the right to make changes in technical specifications and equipment without prior notice. Some equipment and features seen in the photograph and technical drawing may not be in the standard equipment of the vehicle. From the printing of this document (Jan 2021) There may have been changes on it afterwards. No rights can be claimed from the signs or numbers used by the seller or the manufacturer to identify the order or the goods ordered. Color differences are due to the printing technique.

